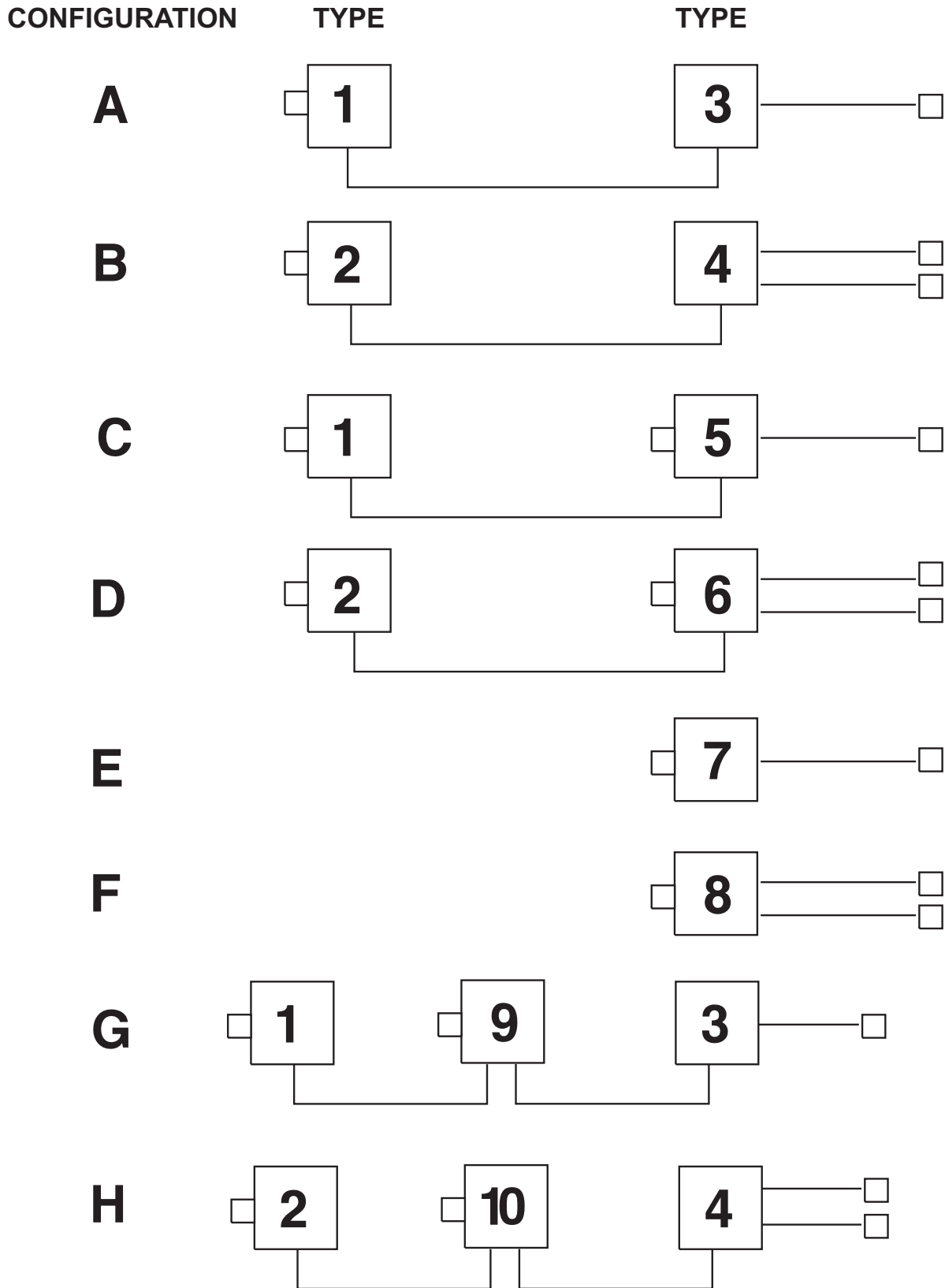
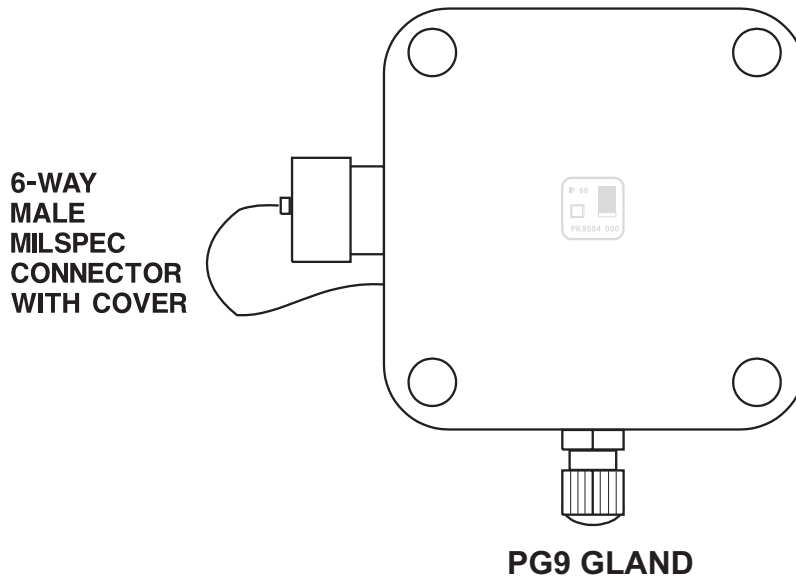


# JUNCTION BOX OPTIONS PORTABLE DOCTOR SYSTEMS ISSUE B

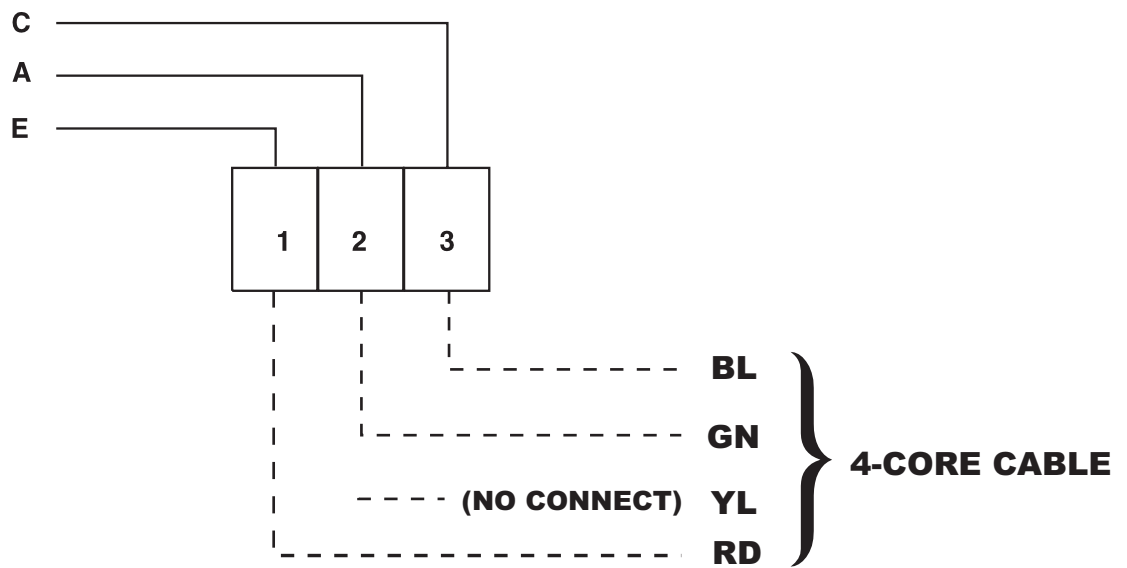


# TYPE 1 JUNCTION BOX

## MECHANICAL



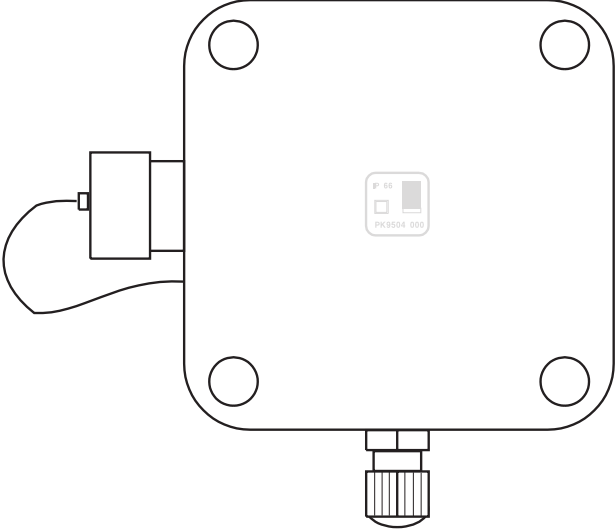
## ELECTRICAL



# TYPE 2 JUNCTION BOX

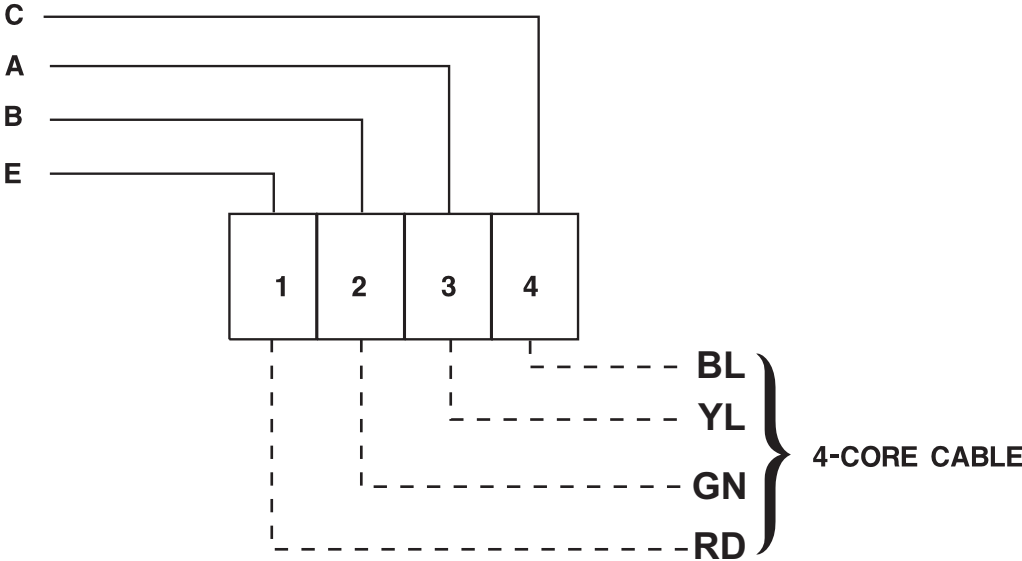
## MECHANICAL

6-WAY  
MALE  
MILSPEC  
CONNECTOR  
WITH COVER



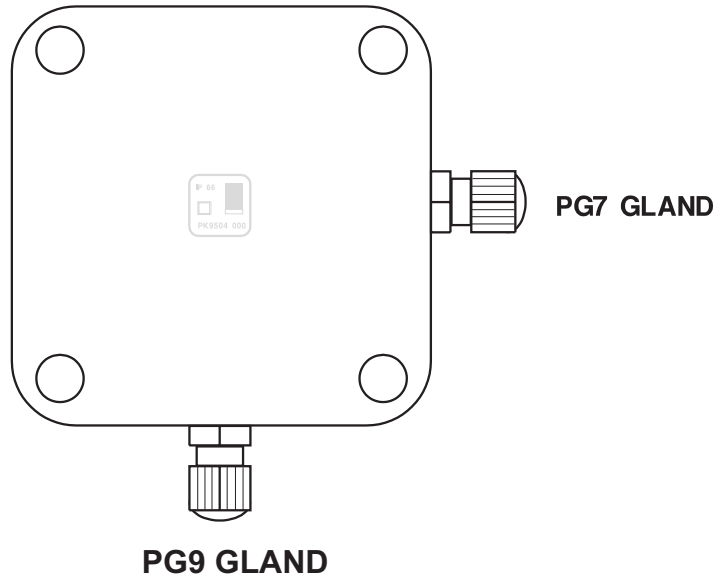
PG9 GLAND

## ELECTRICAL

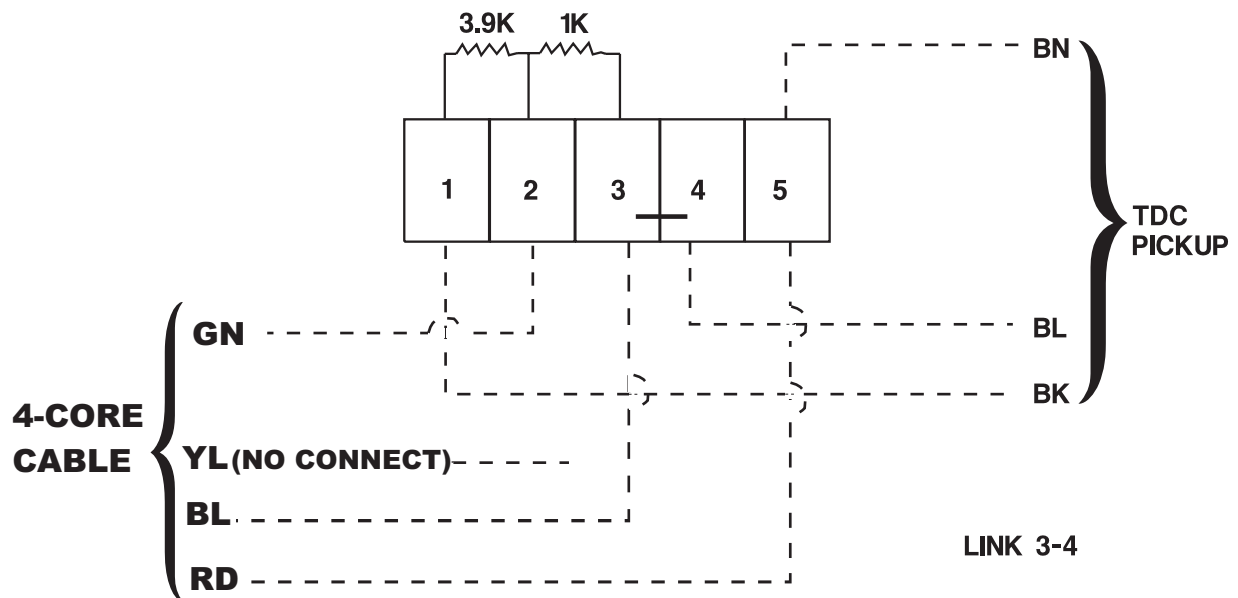


# TYPE 3 JUNCTION BOX

## MECHANICAL

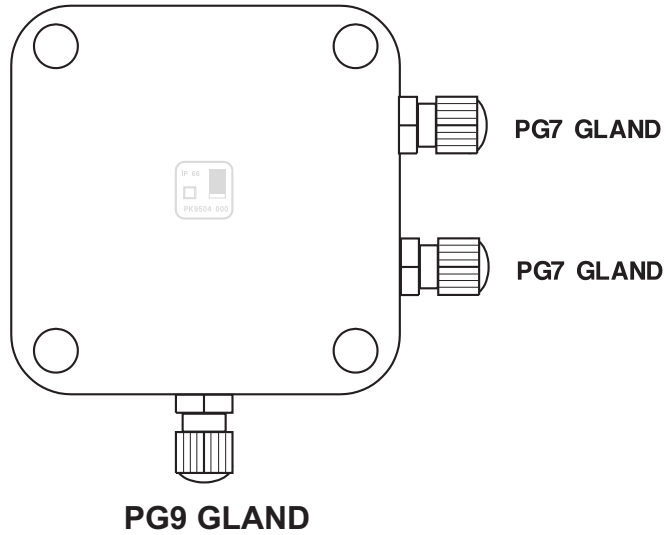


## ELECTRICAL

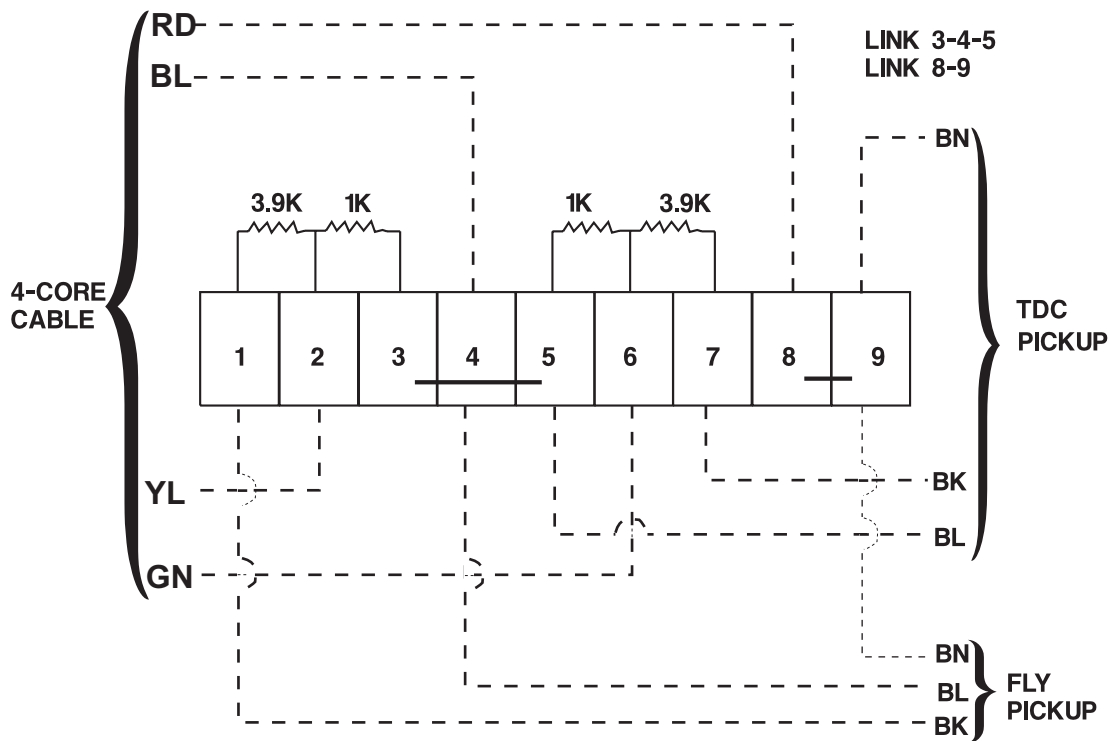


# TYPE 4 JUNCTION BOX

## MECHANICAL

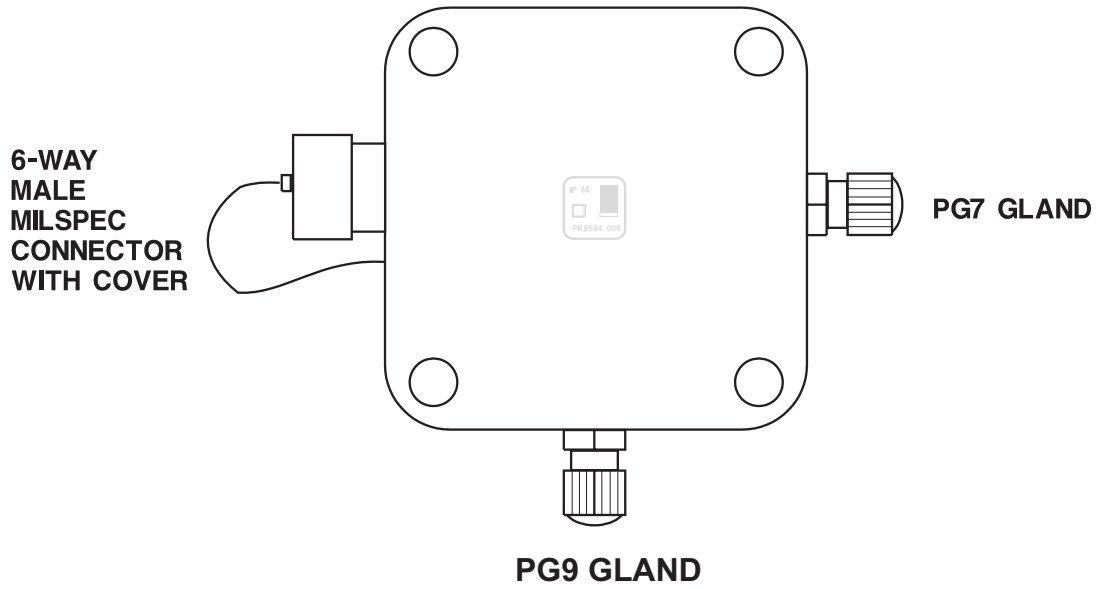


## ELECTRICAL

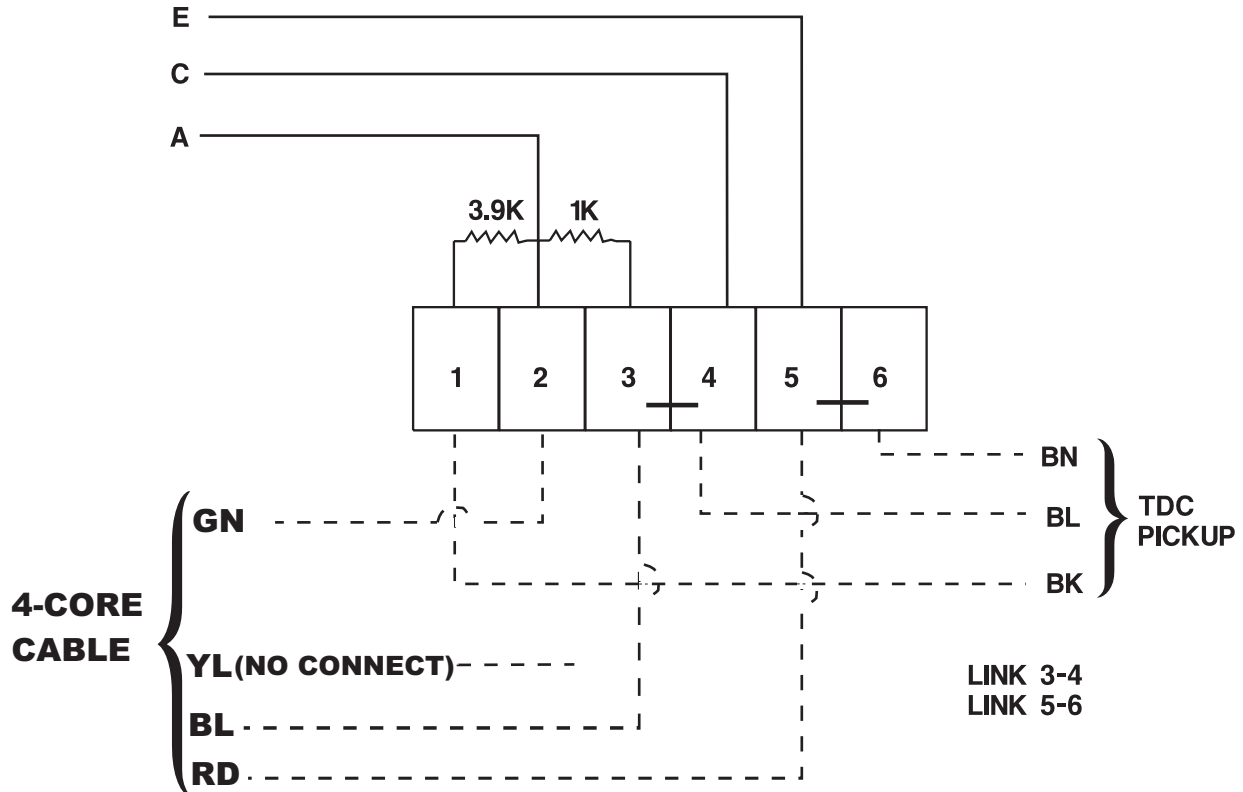


# TYPE 5 JUNCTION BOX

## MECHANICAL

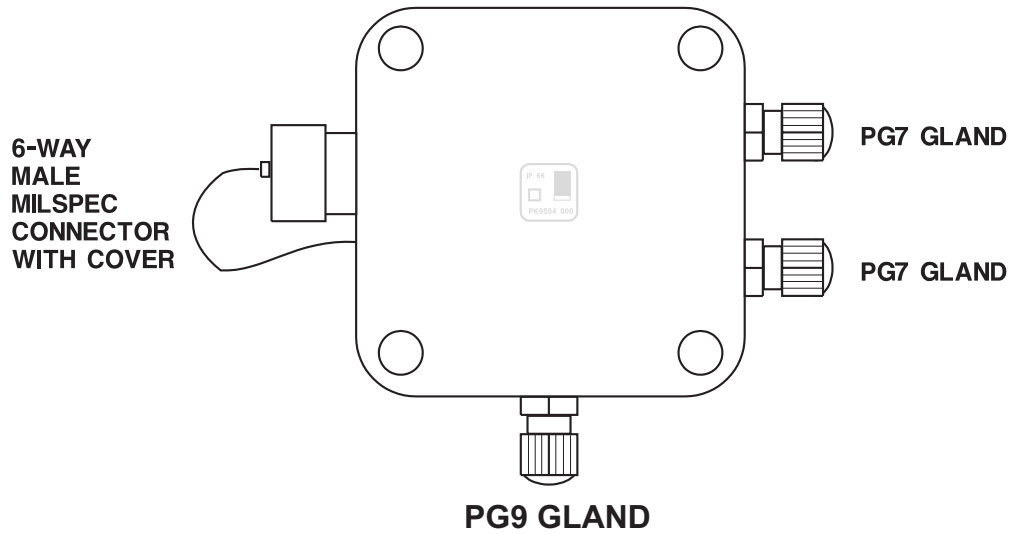


## ELECTRICAL

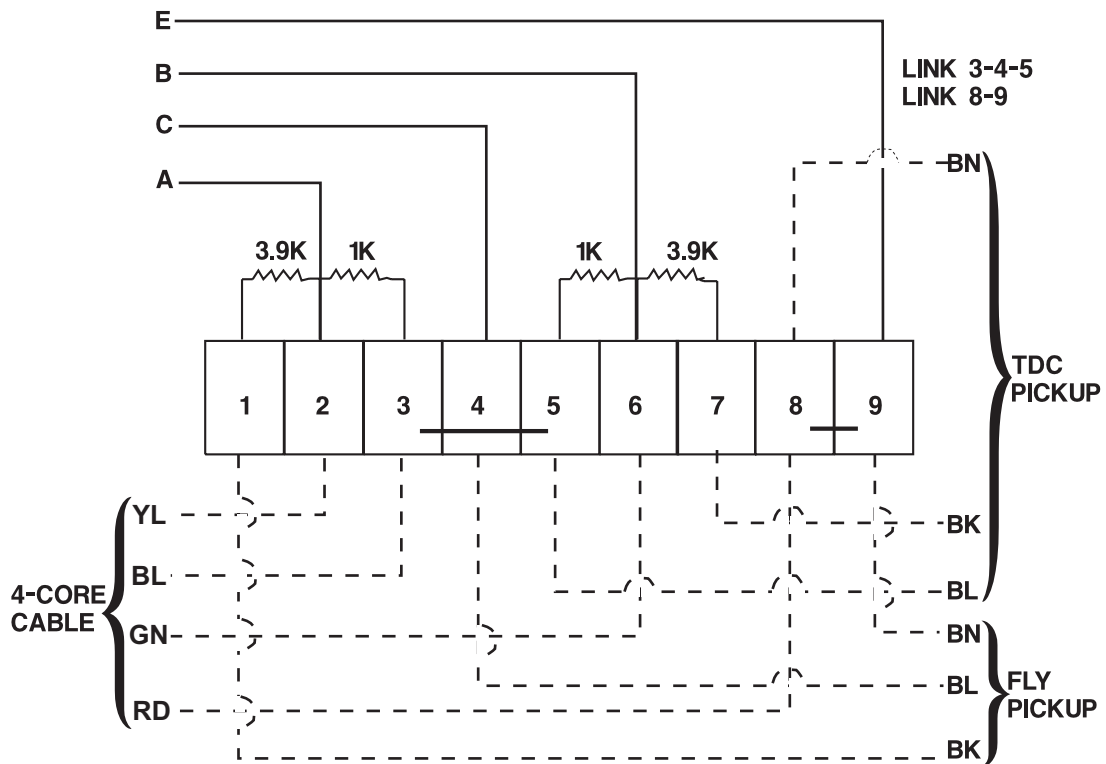


# TYPE 6 JUNCTION BOX

## MECHANICAL



## ELECTRICAL

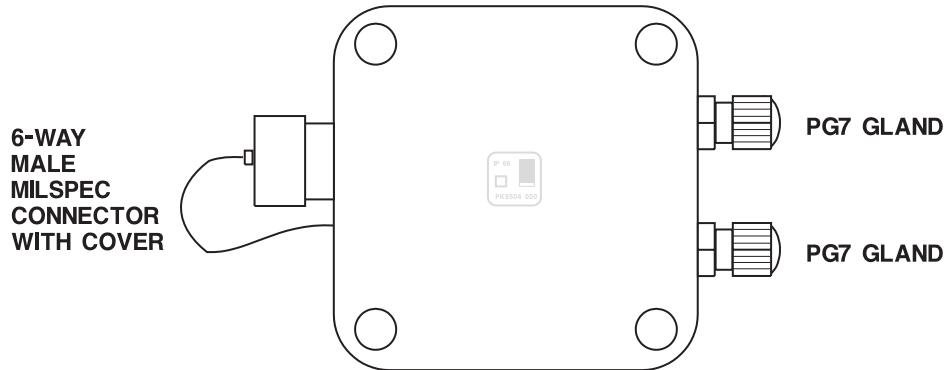




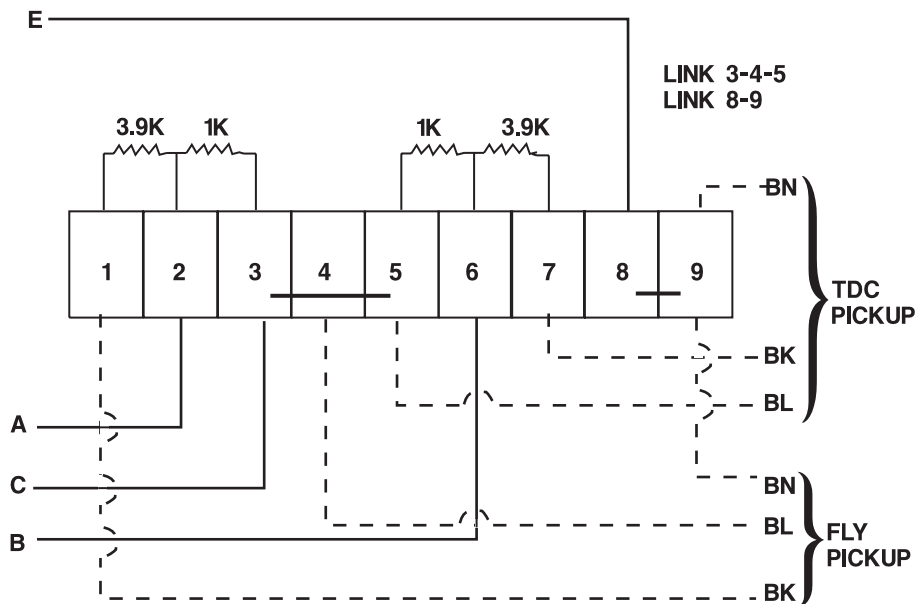


# TYPE 8 JUNCTION BOX

## MECHANICAL

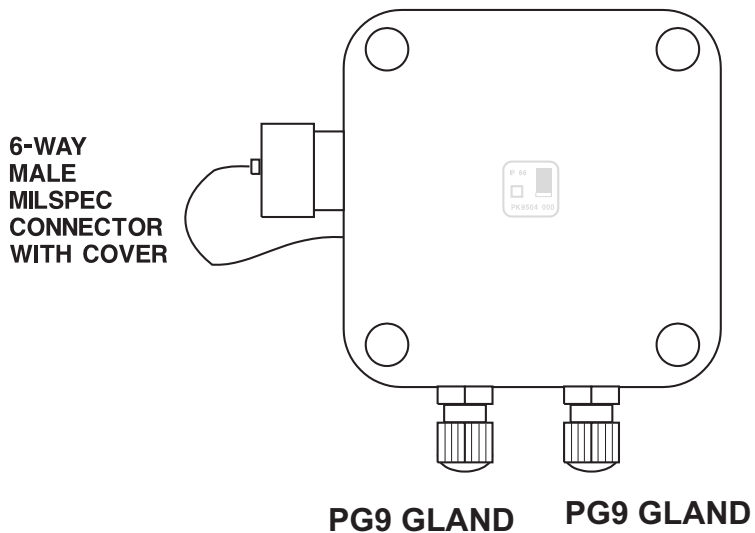


## ELECTRICAL

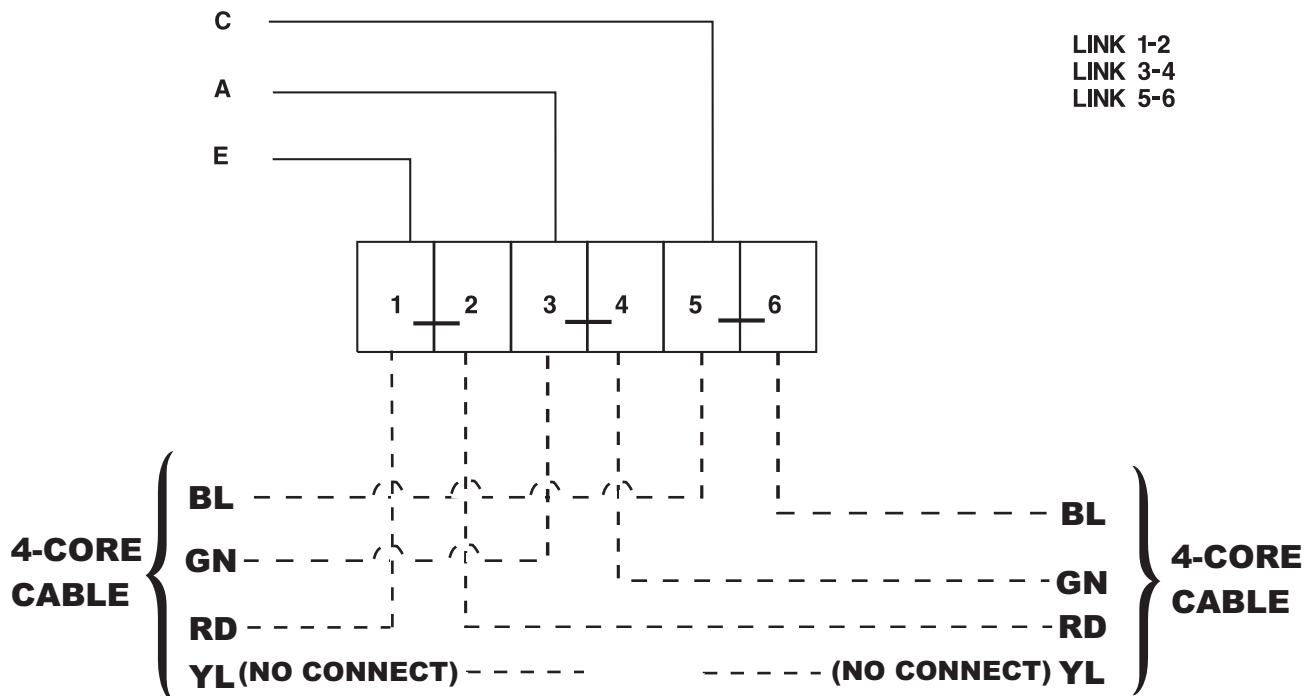


# TYPE 9 JUNCTION BOX

## MECHANICAL

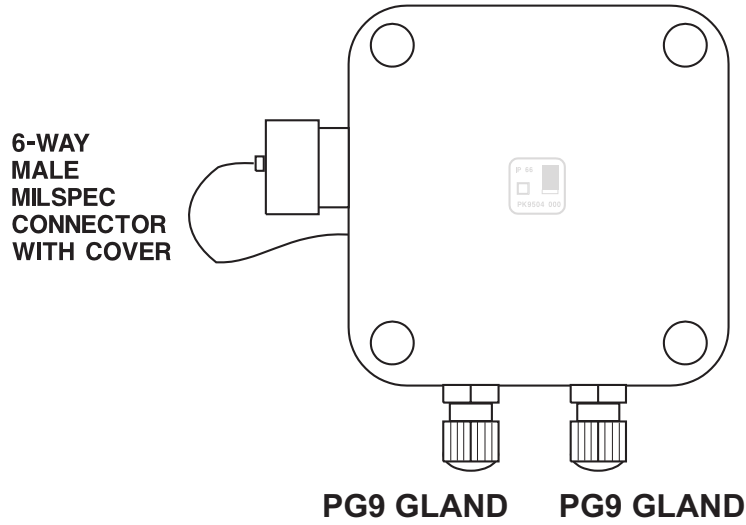


## ELECTRICAL



# TYPE 10 JUNCTION BOX

## MECHANICAL



## ELECTRICAL

